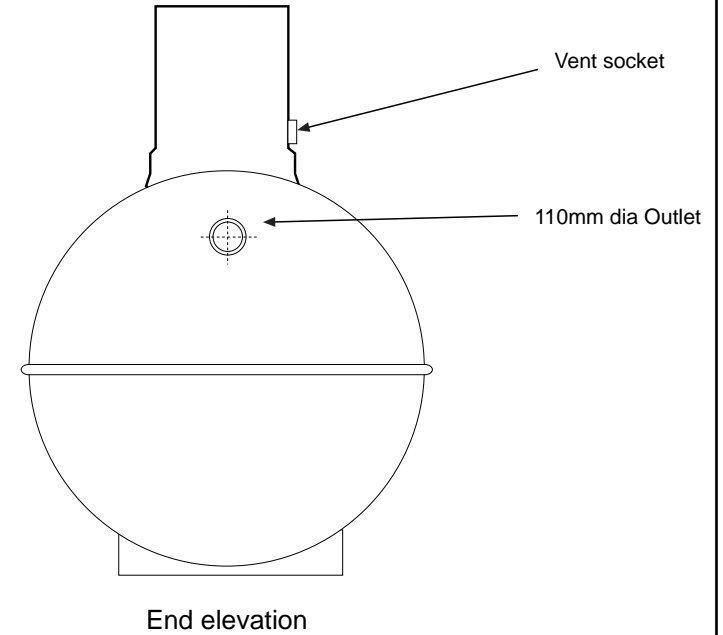
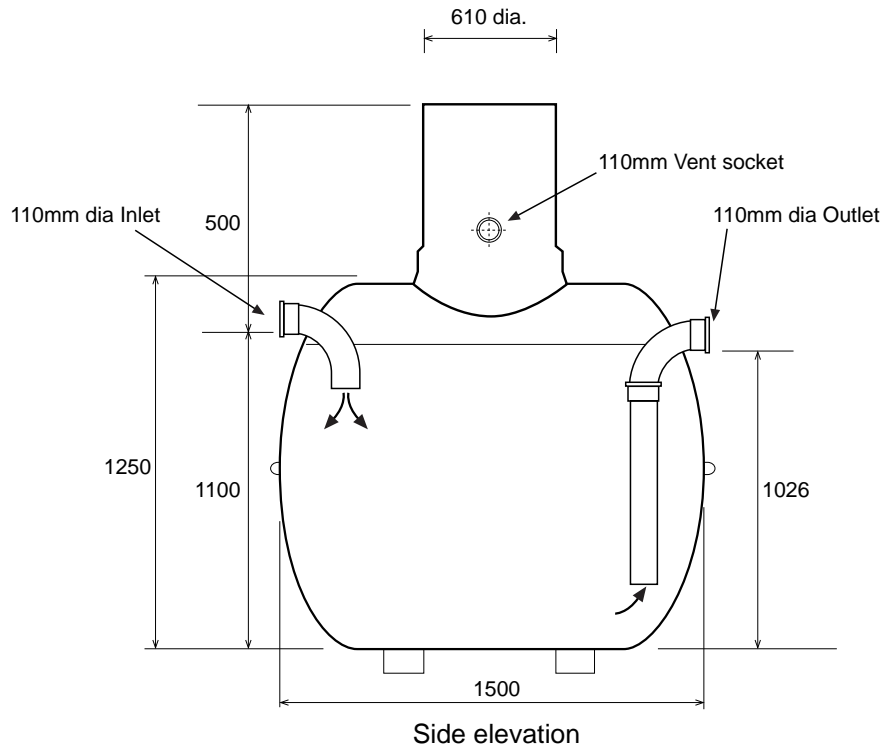


Not to scale

Refer to installation details



Other inlet/outlet connection sizes and positions to suit application.



Acorn Environmental Systems Ltd,
Somerset Bridge, Bridgwater,
Somerset. TA6 6LL
Tel: 01278 439325
Fax: 01278 439324
E-mail: sales@acornsystems.com
Web: www.acornsystems.com

Drawing Title:

SERIES 1 GREASE TRAP

All dimensions are in mm

Scale: NTS

Revision Details:

Drawing No.

GA03-145

Date:

November 2003

Drawn by: Artwork